

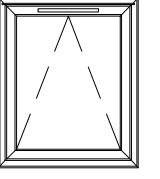
DO NOT SCALE
IF IN DOUBT ASK

REF NO - Double Class 003

NOTES:
All dimensions must be checked on site and not scaled from this drawing

SQM AREA = 143 SQM
SQFT AREA = 1542 SQFT

Window Detail
(Type 1)



Size = 925mm x 1125mm
White UPVC Frame
Double Glazed
K Glass
4000mm² Trickle Vent
Restrictor Stays
Lockable Handles
VA = 0.75m²
Toughened Glass To Both Panes



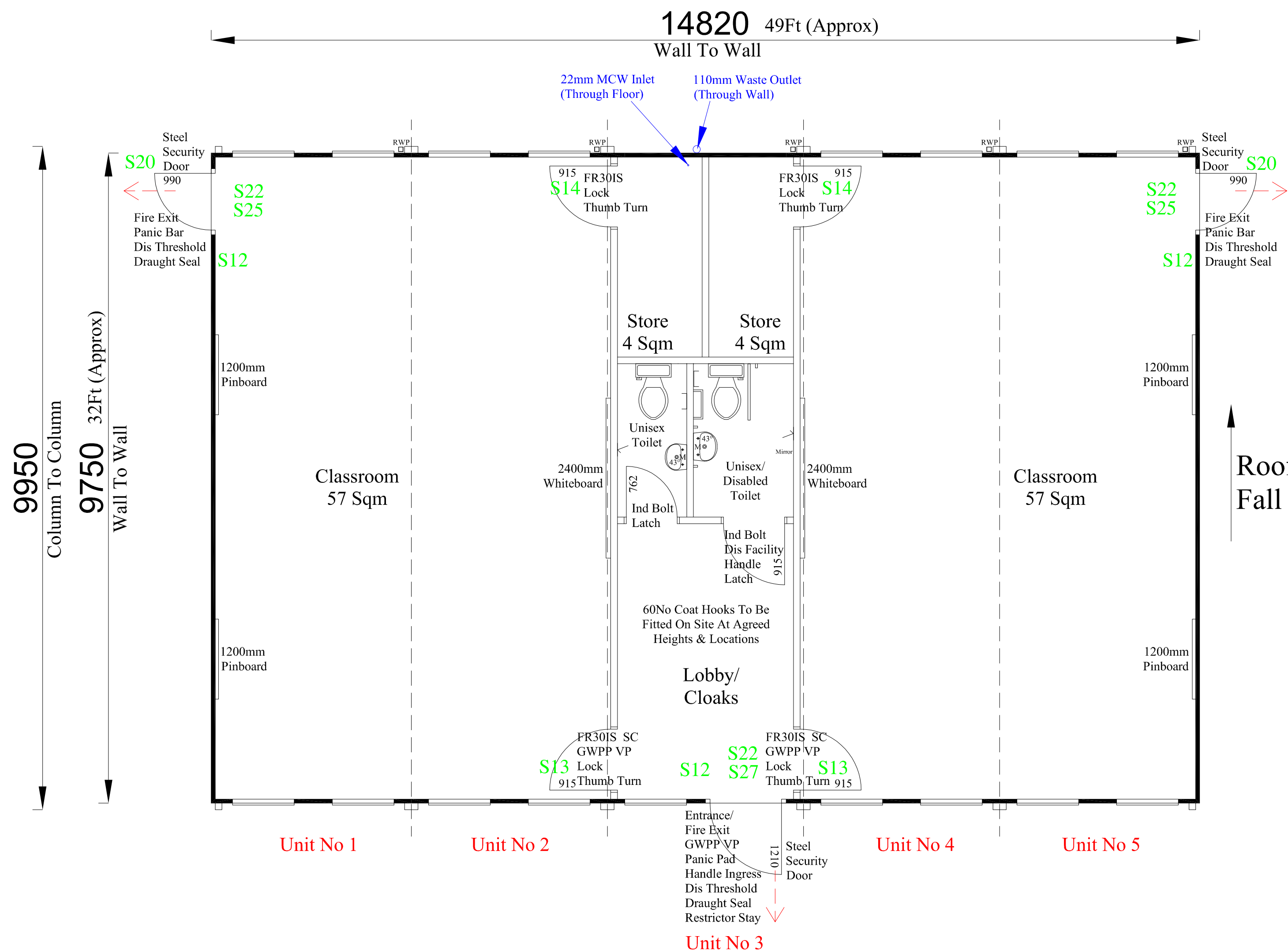
Fire Safety Signs

- S12 - Fire Action Notice
- S13 - Fire Door Keep Shut
- S14 - Fire Door Keep Locked
- S20 - Fire Exit Keep Clear
- S22 - Fire Exit
- S25 - Push Bar To Open
- S27 - Push Pad To Open

Means Of Escape

← -- Final Exit

Basin Sizes	400mm Wide
Basin Rim Height	T.B.C.
Toilet Rim Height	T.B.C.
Disabled Sanitaryware Heights/Sizes	To Part M Of The Building Regulations
Plastisol Steel Vermin Skirt (Max 600mm High)	Extra Over
Internal Partitioning To Give A Weighted Sound Reduction Of 45dB (Estimated). Partitioning Constructed From Timber Studding Lined With Megadeco.	
Fire Resistance Of External Walls (In To Out)	One Hour
Internal Lining Of Perimeter Walls	Megadeco
Roof Type	Steel
Module Column Heights	3230mm
Fascia Type	Standard (500mm Deep)
Ceiling Type	Fixed
Ceiling Height	2500mm
FFL From Top Of Foundations	325mm
Uniformly Distributed Floor Load	3kN/m ²
Additional Notes	All Coat Hooks To Be Fitted On Site In Agreed Locations And Heights. Water Temperature To Basins To Be Set To 43°.



A	02.6.09	Window Detail Text Amended
REV	DATE	REVISIONS

©copyright



Catfoss Lane, Brandesburton,
Driffield, East Yorkshire, YO25 8EJ
Telephone : 01964 544344 Fax : 01964 542141
E-mail : sales@foremansbuildings.co.uk
Web : http://www.foremansbuildings.co.uk

CLIENT

JOB TITLE

5 Bays Of Portakabin Duplex Modular Building 32Ft x 10Ft Bays

DRAWING TITLE

Proposed Layout Plan And Elevations For Standard Double Classroom With Toilet And Disabled Toilet

SCALE

1:50

DATE **20/11/2007** DRAWN BY **R.COUSINS**

DRAWING NO	REV
Standard Layouts/Classrooms/Double Class 003	A

Preliminary Drawing - Not For Manufacture

Original Drawing Size A1