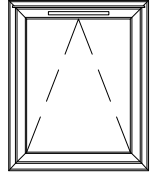


**DO NOT SCALE
IF IN DOUBT ASK**

**Window Detail
(Type 1)**



Size = 925mm x 1125mm
White UPVC Frame
Double Glazed
4000mm² Trickle Vent
Restrictor Stays
Lockable Handles

| | |
|---|--|
| Basin Sizes | 450mm Wide |
| Basin Rim Height | 800mm (Adult) |
| Toilet Rim Height | 390mm (Adult) |
| Urinal Lip Height | 610mm (Adult) |
| Disabled Sanitaryware Heights/Sizes | To Part M Of The Building Regulations |
| Kitchen Sink/Worktop Height (to top) | See Drawing |
| Tap Types | Lever |
| Basin Water Temperature | 43° |
| Sink Water Temperature | 60° |
| Splashbacks to basins & sinks | White ceramic tiles |
| Internal Partitioning To Give A Weighted Sound Reduction Of 38dB (Estimated). Partitioning Constructed From Timber Studding Lined With 12.5mm Plasterboard. | |
| Internal Door Finish | Light Oak |
| Internal Door Furniture Finish | Ebony |
| Door Furniture Height (Handles, Dig Locks Etc.) | Not To Be Fitted Over 1200mm Above FFL |
| Fire Resistance Of External Walls (In To Out) | Half Hour |
| Internal Lining Of Perimeter Walls | 12.5mm Plasterboard |
| Vented Plastisol Steel Vermin Skirt (Max 600mm High) | Extra Over |
| Roof Type | Steel |
| Module Column Heights | 3230mm |
| Fascia Type | Standard (500mm Deep) |
| Ceiling Type | Fixed |
| Ceiling Height | 2500mm |
| FFL From Top Of Foundations | 325mm |
| Uniformly Distributed Floor Load | 3kN/m2 |
| Additional Notes | |

NOTES:
All dimensions must be checked on site and not scaled from this drawing

Sq. m. Area = 401
Sq. Ft. Area = 4318

Building Design/Position On Site All Subject To Full Site Survey And Building Control Approval

Any loose furniture shown is indicative (by others)

Toilet Provision Note

The Number Of Toilets Shown Are Adequate For The Following Numbers Of People:

Male - Up to 30

Female - Up to 30 (incl. 5 disabled)

From BS 6465-1:2006

| REV | DATE | REVISIONS | BY |
|-----|------|-----------|----|
| | | | |
| | | | |
| | | | |

© copyright



Catfoss Lane, Brandesburton, Driffield, East Yorkshire, YO25 8EJ
Telephone : 01964 544344 Fax : 01964 542141
E-mail : sales@foremansbuildings.co.uk
Web : http://www.foremansbuildings.co.uk

CLIENT
A Client

JOB TITLE
14 Bays Of Portakabin Duplex Modular Building 32Ft x 10Ft Bays

DRAWING TITLE
Proposed Layout Plan For 50 Person Office With Single Offices

SCALE
1:100

DATE 09/04/2009 **DRAWN BY** R. COUSINS

DRAWING NUMBER Standard Layouts/Offices/32Fu/50 Person With Single Offices **REV**

